

CXA-P1612-VJL (9W DUAL OUTPUTS WITH DIMMING FUNCTION)

DESCRIPTION :

This low profile DC to AC Inverter is developed for dual lamps, low power LCD back-light. Application includes industrial PC and LCD monitor.

Applicable LCD; 10 to 15 inches double lamp type
 Lamp Voltage 560Vrms
 Lamp Current 8mArms
 Lamp Start Up Voltage 1600Vrms



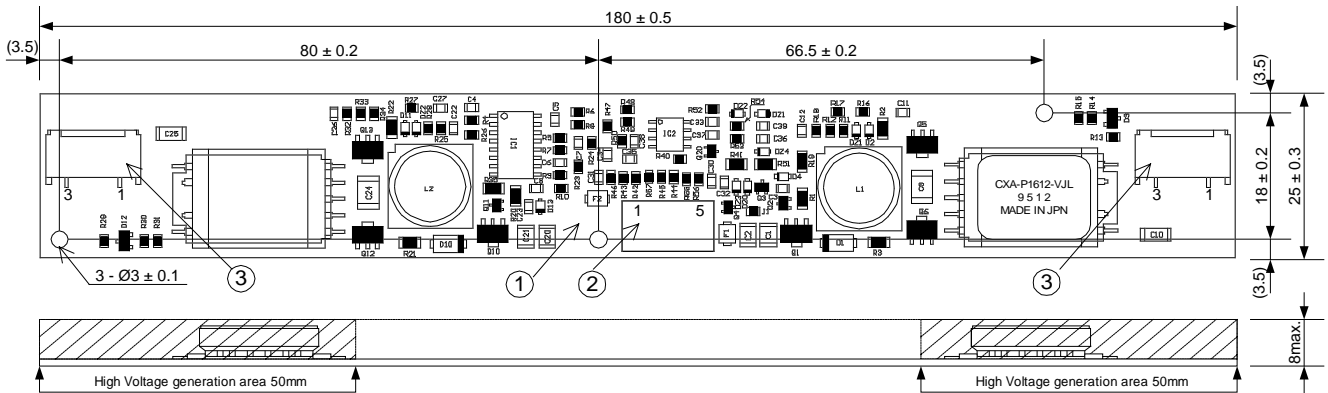
FEATURES :

- PWM dimming
- Current Feedback Circuit
- Silicon Coating in High Voltage area

TEMPERATURE & HUMIDITY :

Operating Temperature Range 0°C ~ +60°C
 Storage Temperature Range -30°C ~ +85°C
 Humidity 95%RH max

DIMENSIONS :



Unit : mm
 Weight : 29.6 (g) typ.

Note 1 : Please keep minimum of 2mm clearance (all directions) between inverter high voltage area as marked on mechanical drawing and any conductors.

No.	Part Description	Qty.	Note
1	PWB	1	UL94V-0 t=1.0mm
2	Connector CN1	1	S5B-PH-SM3 (Molex)
3	Connector CN2,3	2	SM02(8.0)B-BHS-1 (JST)

CN1 : 53261-0790 (Molex)

Pin	Symbol	Note
CN1-1	Vin	10.8 ~ 13.2V
CN1-2	GND	0V
CN1-3	Vbr	0 ~ 2.5V
CN1-4	N.C.	
CN1-5	Vrmt	0 ~ 0.8V : OFF 2.5 ~ 13.2V : ON

CN2 : SM02(8.0)B-BHS-1 (JST)

Pin	Symbol	Note
CN2-1	Vhigh1	560Vrms (8mArms)
CN2-2	N.C.	-
CN2-3	Vlow1	(0.6V)

CN3 : SM02(8.0)B-BHS-1 (JST)

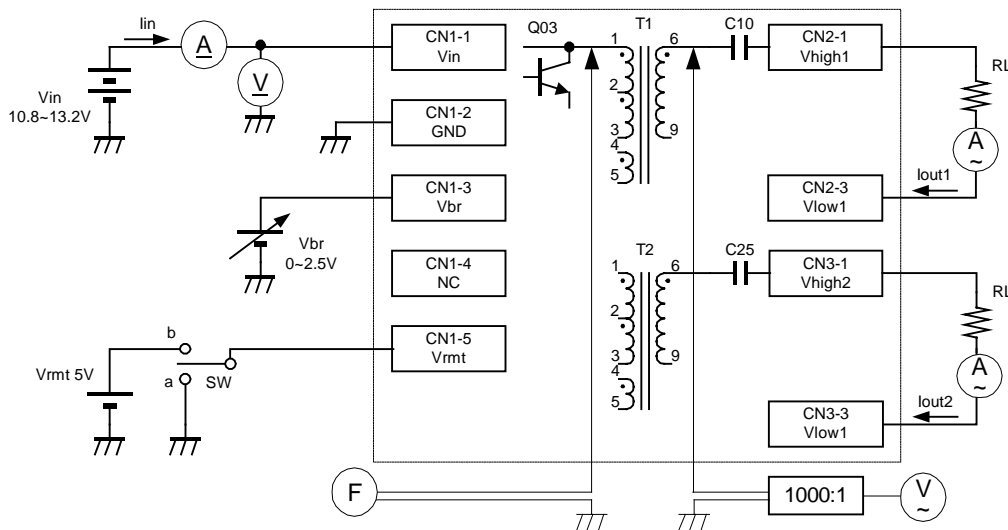
Pin	Symbol	Note
CN3-1	Vhigh2	560Vrms (8mArms)
CN3-2	N.C.	-
CN3-3	Vlow2	(0.6V)

CXA-P1612-VJL (9W DUAL OUTPUTS WITH DIMMING FUNCTION)

ELECTRICAL CHARACTERISTICS :

Parameters	Symbol	Conditions					Specifications			Unit	Note
		Vin (V)	Vrmt (V)	Vbr (V)	Ta (°C)	RL (kΩ)	min.	typ.	max.		
Output Current	Iout1 / Iout2	10.8	5	0	0 ~ +60	70	7.2	8.0	8.8	mArms	
		12	5	0	0 ~ +60	70	7.2	8.0	8.8	mArms	Max Brightness.
		13.2	5	0	0 ~ +60	70	7.2	8.0	8.8	mArms	
		12	5	2	0 ~ +60	70	3.5	4.0	4.5	mArms	Min Brightness.
Input Current	Iin	12	5	0	0 ~ +60	70	-	1.0	1.5	Adc	
Frequency	FL	12	5	0	0 ~ +60	70	50	55	60	kHz	
Open Voltage	Vopen	12	5	0	0 ~ +60	∞	1500	1700	-	Vrms	

TEST CIRCUIT :



SW		Operation of unit
a	0~0.8V	Non operation
b	2.5~13.2V	Operation